
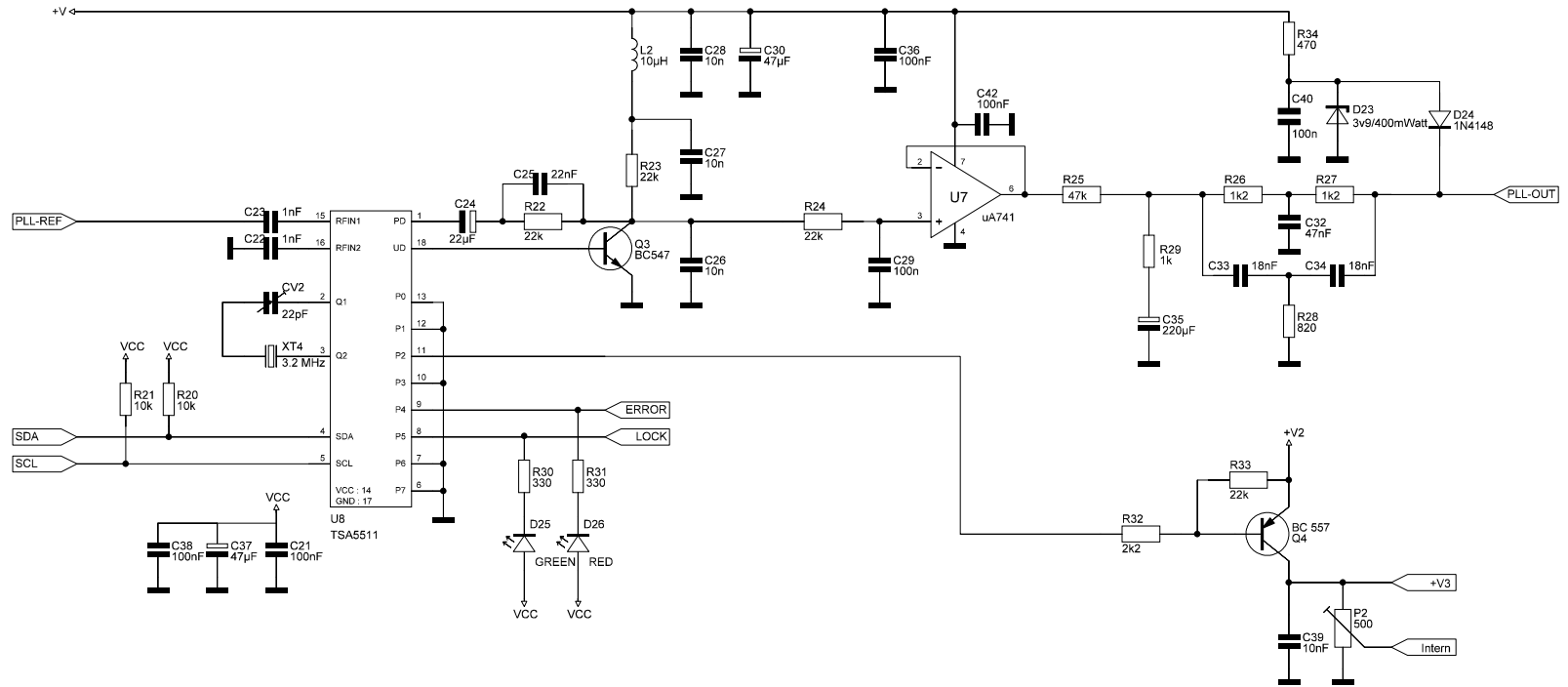



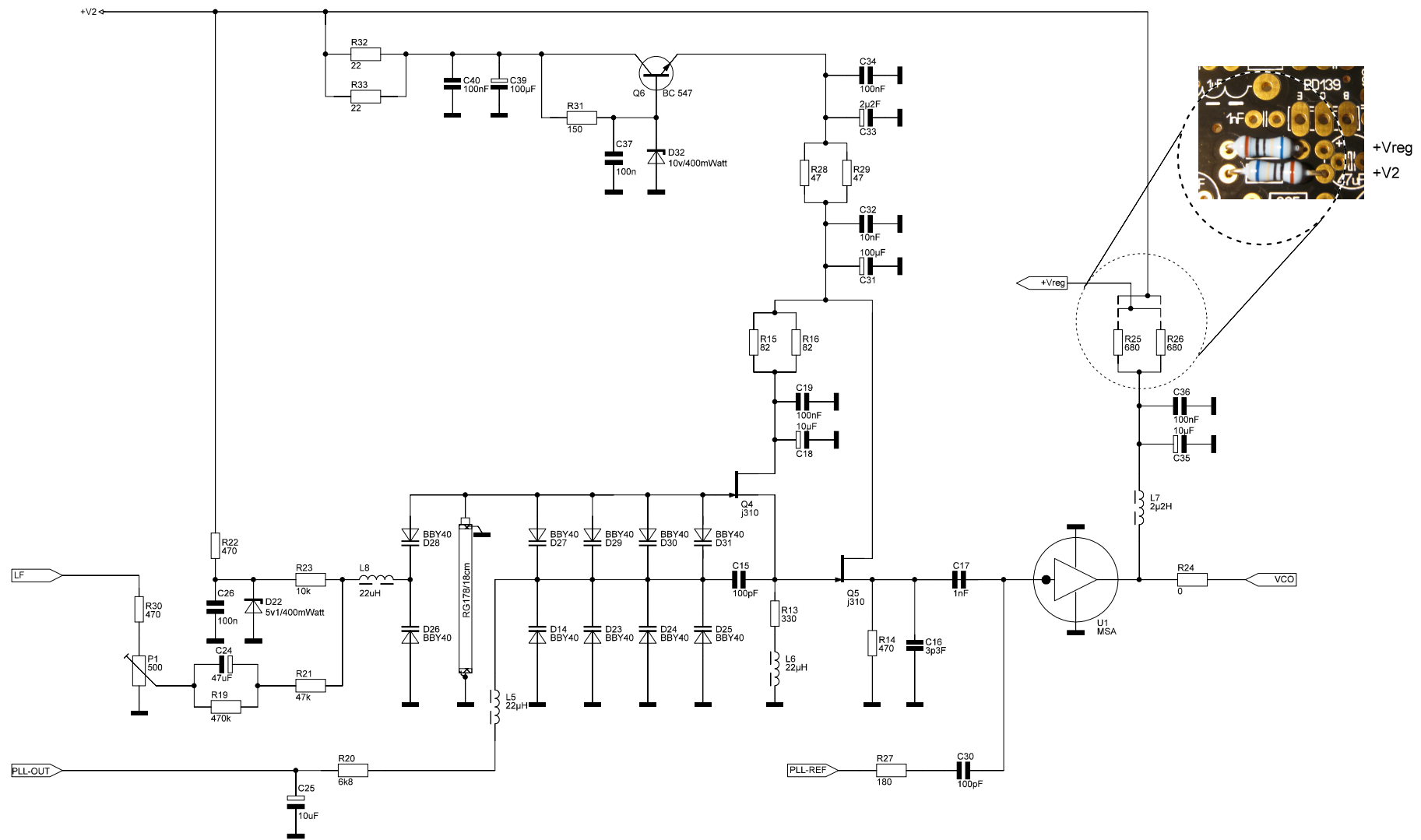
Changes		Drawing		acc.		CompanyLogo	
Name	Date	Name	Date	Name	Datum		
H. Slot	28-01-2012	H. Slot	24-01-2012	H. Slot	24-01-2012		
H. Slot	05-02-2012						
Filename: PKBee NT15W 2011v1.spl7		Norm:	n/a	Norm:	n/a		


Description	Page
PKBee NT 15Watt Transmitter Part : Controller unit	1
Drawings No.: PCB : PKBee NT 15Watt 2011v1	of
	4

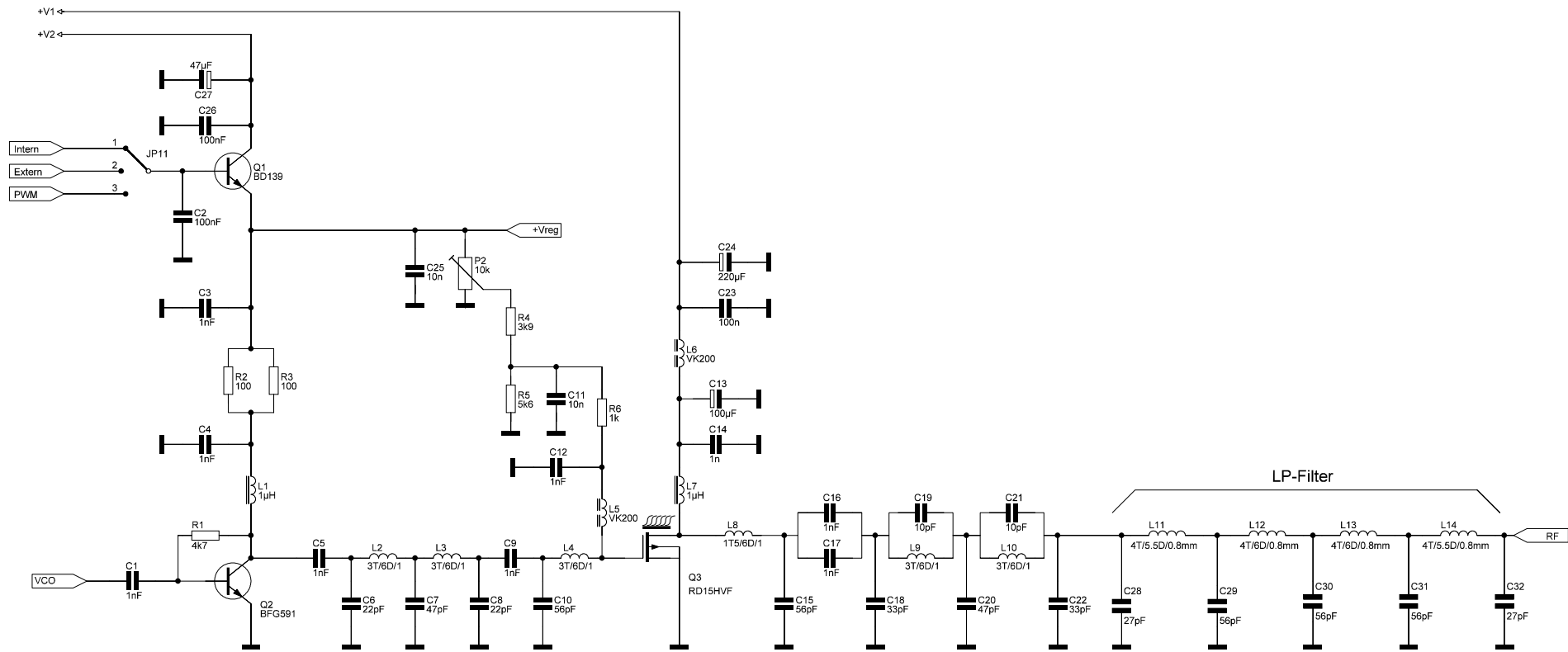



Changes		Drawing		acc.		CompanyLogo	
Name	Date	Name	Date	Name	Datum		
H. Slot	05-02-2012	H. Slot	24-01-2012	H. Slot	24-01-2012		
Filename:	PKBee NT15W 2011v1.spl7		Norm:	n/a	Norm:	n/a	

Description	Page
PKBee NT 15Watt Transmitter Part : PLL-Unit	2
Drawings No.:	of
PCB : PKBee NT 15Watt 2011v1	4



Changes		Drawing		acc.		CompanyLogo		Description		Page
Name	Date	Name	Date	Name	Datum			PKBee NT 15Watt Transmitter		3
H. Slot	19-02-2012	H. Slot	24-01-2012	H. Slot	24-01-2012			Part : VCO		
H. Slot	01-01-2013									
		Norm:	n/a	Norm:	n/a	Drawings No.:		of		
Filename:	PKBee NT15W 2011v1.spl7						PCB : PKBee NT 15Watt 2011v1		4	



Changes		Drawing		acc.		CompanyLogo	
Name	Date	Name	Date	Name	Datum		
H. Slot	29-01-2012	H. Slot	24-01-2012	H. Slot	24-01-2012		
Filename:	PKBee NT15W 2011v1.spl7						

Description	Page
PKBee NT 15Watt Transmitter Part : Endstage	4
Drawings No.: PCB : PKBee NT 15Watt 2011v1	of 4